

CSE5-100501

Description:

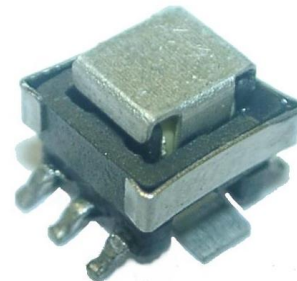
EE5 Surface mounting design
 Height: 5.3mm Max
 Optimal performance at 250 kHz and above
 Primary Current Rating: 20 amps
 Insulation Resistance: 10MΩ Minimum
 Operating Temperature Range: -15°C to +105°C
 Custom designs available
 Energy Time (E.T.) = 27.0V μS Max

Application:

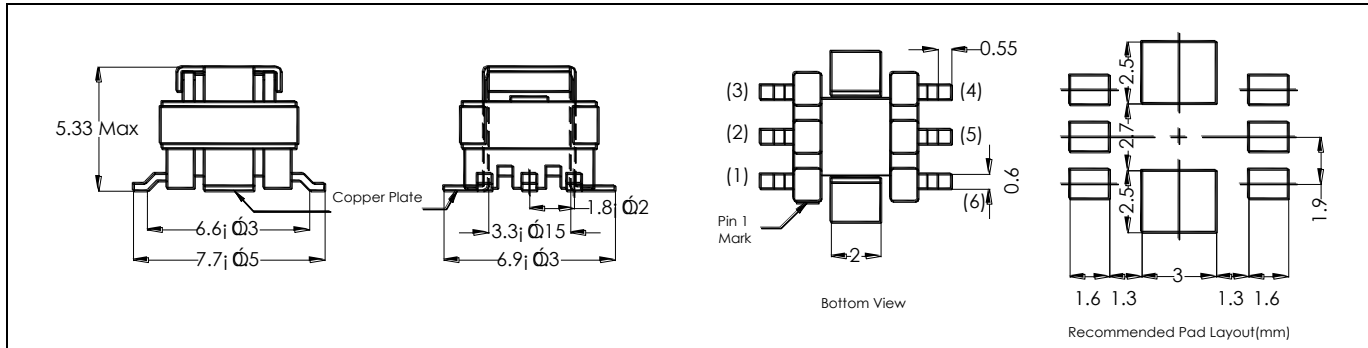
Ac current detection
 Output supply for control circuit
 Switching Power Supply

Electrical Specifications @ 25C

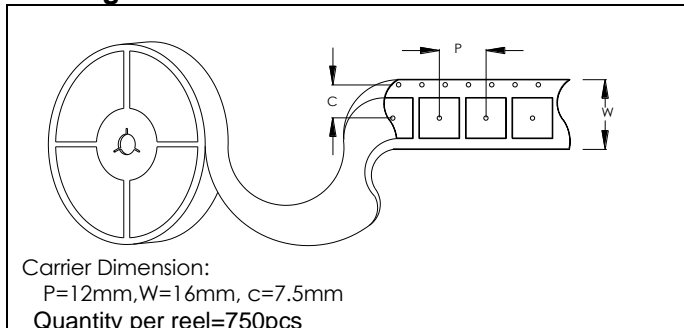
Turns N1:N2	Secondary Min Inductance (μH)	Secondary Max DCR (mΩ)	Color Code
			Dot
1:50	500	1500	Blue



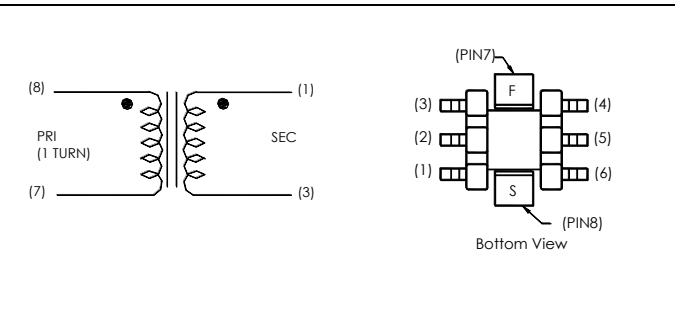
Mechanical:



Packing:



Schematic:



RoHS Compliance: As of manufacturing date February 2016, all standard products meet the requirements of 2015/863/EU, known as the RoHS 3 initiative.

* Upon printing, this document is considered "uncontrolled". Please contact Triad Magnetics' website for the most current version.

web: www.com.com
 Phone 951-277-0757
 Fax 951-277-2757

460 Harley Knox Blvd.
 Perris, California 92571

Publish Date: January 29, 2025