

### A-9J

#### Description:

Triad's A-9J Input Transformer provides the durability and precision required in today's demanding designs. **Mu-Metal case** construction for magnetic field immunity and 60 to 80 dB Hum reduction. **Large step-up turns ratio** to couple low-level input signals to the grid of the first amplifier tube or, in a multistage system, to the input element of the first transistor amplifier. Low level **High Fidelity** with excellent **Noise reduction**. Applications include signal pre-amplification, inter-stage isolation, signal level step up/down, and impedance matching.

#### Electrical Specifications (@25C)

Impedance		Overall Turns Ratio	DCR (Ω)	Power level dBm
Pri (Ω)	Sec (Ω)			
600/250/50	85k	1:12	Brn - Red = 20.40 Red - Blu = 10.50 Grn - Blk = 3991	0

PARAMETER	CONDITIONS	TYPICAL
Frequency Range		30 Hz - 15KHZ
Gain	1kHz, Rs = 600 Ω RL = 85kΩ	+15 dB
Distortion (THD+N%)	1kHz, +8dBu input, Rs = 600 Ω RL = 85kΩ	0.005%
	1kHz, +0dBu input, Rs = 600 Ω RL = 85kΩ	0.003%
	1kHz, -8dBu input, Rs = 600 Ω RL = 85kΩ	0.002%
Max input level (20Hz)	1% THD + N%, Rs=600Ω, RL = 85kΩ	+6.5 dBu
Frequency response (1 kHz Ref.)	30 Hz, RS=600Ω, RL=85kΩ	-0.30dB
	15 kHz, RS=600Ω, RL=85kΩ	-1.2dB
Phase Shift @ 30Hz	Reference to source generator Rs = 600Ω, RL = 85kHz	+5°
Phase shift @ 15kHz		0°
CMRR	60 Hz	-88 dBu
	1 kHz	-84 dBu
Inductance Brn - Blu	0.77V @ 60Hz	12H Min.
Dielectric Test	500V @ 60Hz	
Temperature Rating	Operation & Storage	0°C to 70°C

**RoHS Compliance:** As of manufacturing date February 2005, all standard products meet the requirements of 2011/65/EU, known as the RoHS initiative.

\*Upon printing, this document is considered "uncontrolled". Please contact Triad Magnetics for the most current version.

Web: [www.TriadMagnetics.com](http://www.TriadMagnetics.com)  
Phone 951-277-0757  
Fax #: 951-277-2757

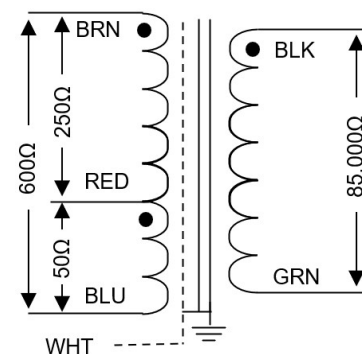
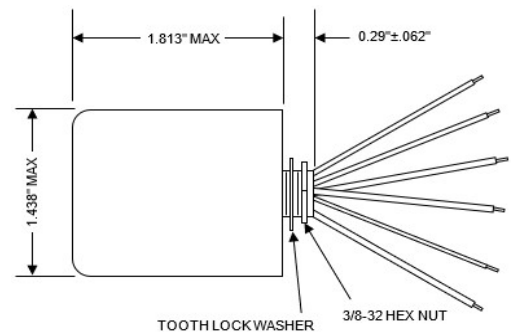
460 Harley Knox Blvd.  
Perris, California 92571

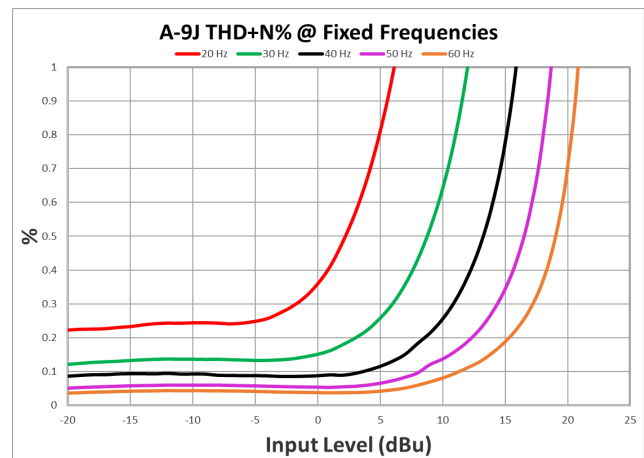
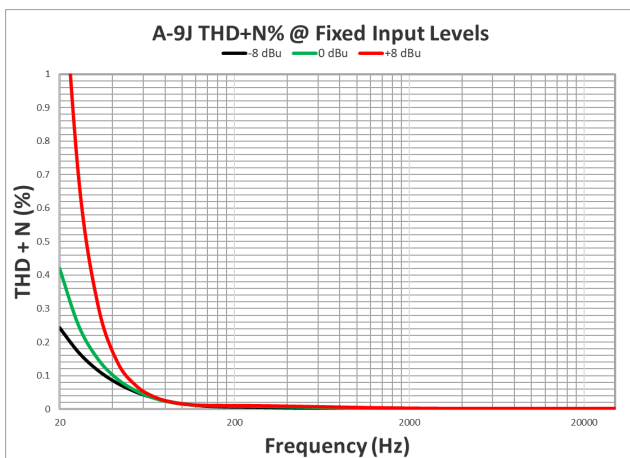
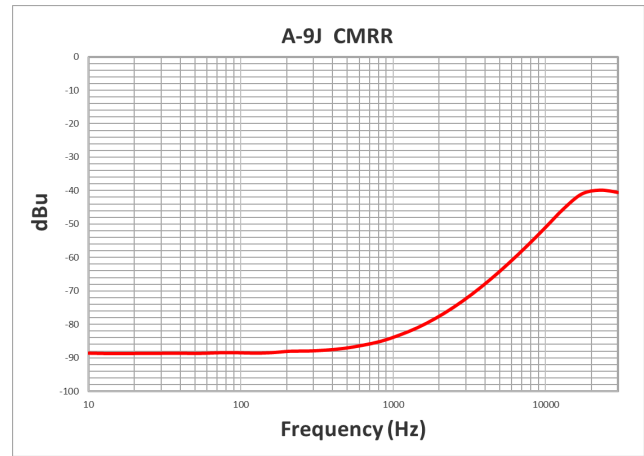
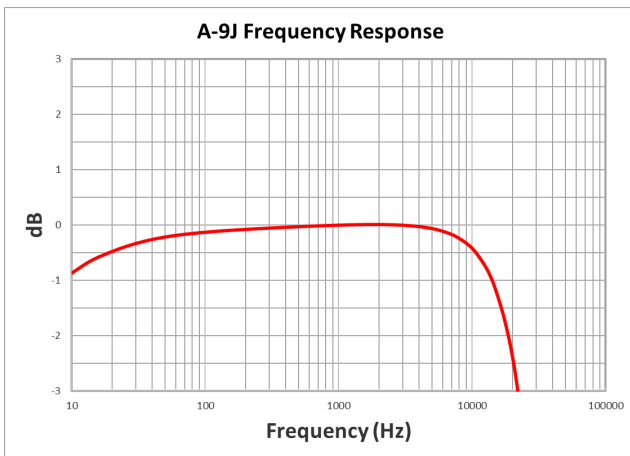
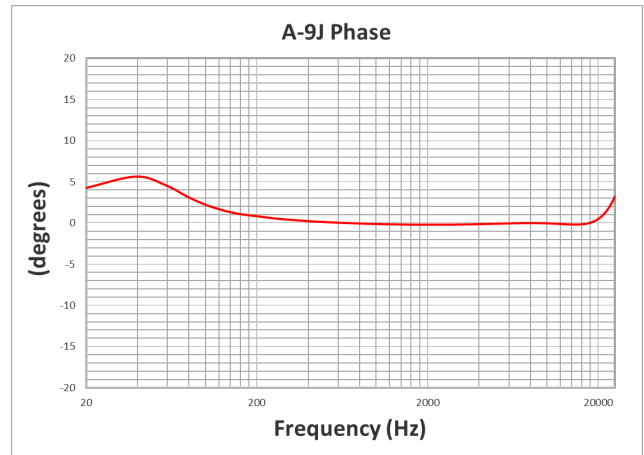
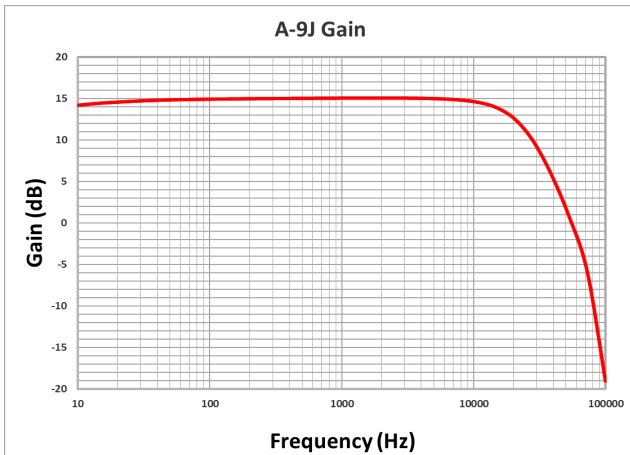
Publish Date: February 15, 2024



For illustration purpose only

ALL LEADS = 6.0" Min





NOTE: Graph data was taken on a random sample using an Audio Precision Model APX555 Audio Analyzer.