

### A-12J

#### Description:

Triad's A-12J Input audio transformer provides the durability and precision required in today's demanding designs. **Mu-Metal case** construction for magnetic field immunity and 60 to 80 dB Hum reduction. **Large step-up turns ratio** to couple low-level input signals to the grid of the first amplifier tube or, in a multistage system, to the input element of the first transistor amplifier. Low level **High Fidelity** with excellent Unwanted **Noise reduction**. Applications include signal pre-amplification, inter-stage isolation, signal level step up/down, and impedance matching.

#### Electrical Specifications (@25C)

Power level (mW)	Inductance (H)	Impedance		DCR (Ω)		Turns Ratio	DWV
	pri	Pri	Sec	Pri	Sec		
10	7 Min	150 600	60k	55	5300	1:20 1:10	500V

PARAMETER	CONDITIONS	TYPICAL
Operating Frequency		20Hz – 20kHz
Gain	1kHz, Rs = 600 Ω RL = 60kΩ	+13.2 dB
Distortion (THD+N%)	1kHz, +10dBu input, Rs = 600Ω RL = 60kΩ	0.006%
	1kHz, +3dBu input, Rs = 600Ω RL = 60kΩ	0.004%
	1kHz, -5dBu input, Rs = 600Ω RL = 60kΩ	0.004%
Max input level (20Hz)	1% THD + N%, Rs=600Ω, RL = 60kΩ	+0.45dBu
Frequency response (1 kHz Ref.)	20 Hz, RS=600Ω, RL=60kΩ	-1.16 dB
	20kHz, RS=600Ω, RL=60kΩ	-1.18 dB
Phase Shift @ 20Hz	Reference to source generator	+23°
Phase shift @ 20kHz	Rs= 600Ω, RL = 60kHz	-2°
CMRR	60 Hz	98.2 dB
	1 kHz	86.2 dB
Temperature Rating	Operation & Storage	0°C to 70°C

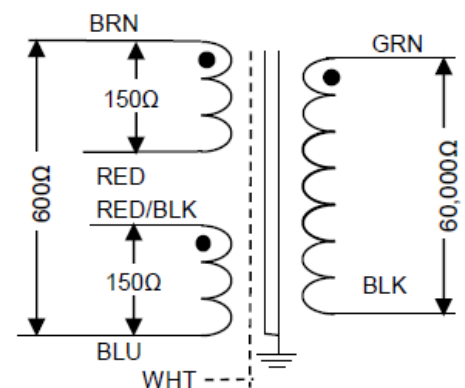
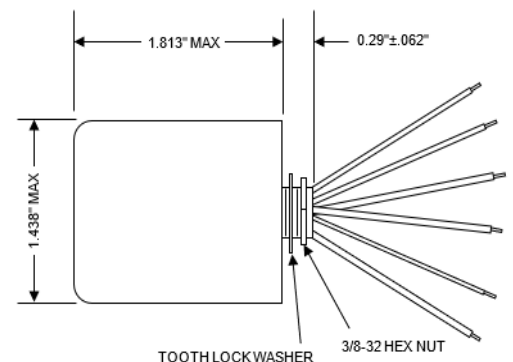
**RoHS Compliance:** As of manufacturing date February 2005, all standard products meet the requirements of 2011/65/EU, known as the RoHS initiative.

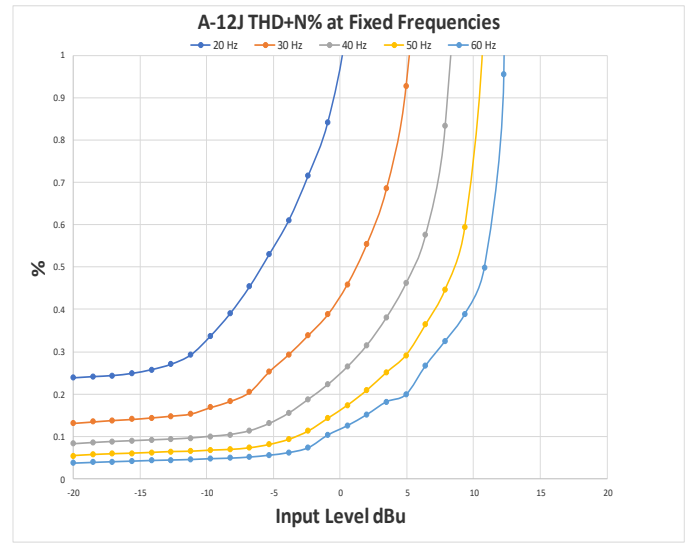
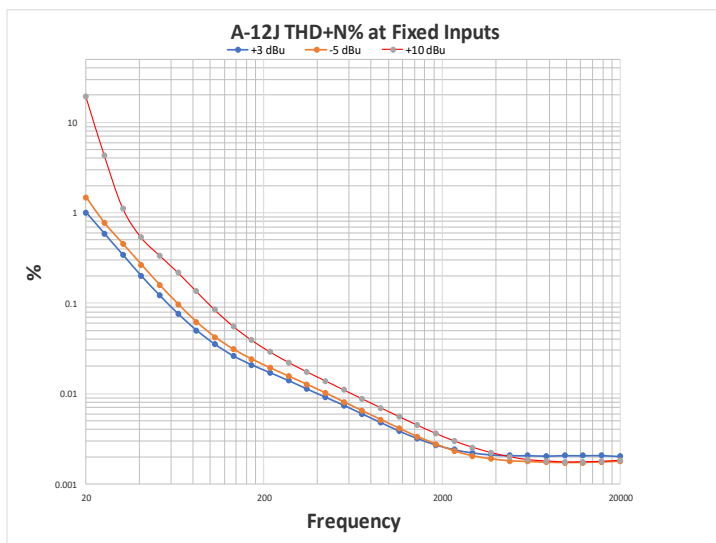
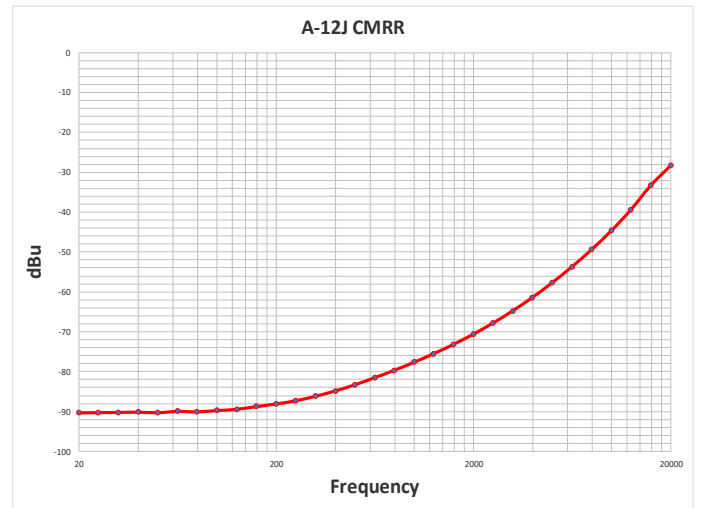
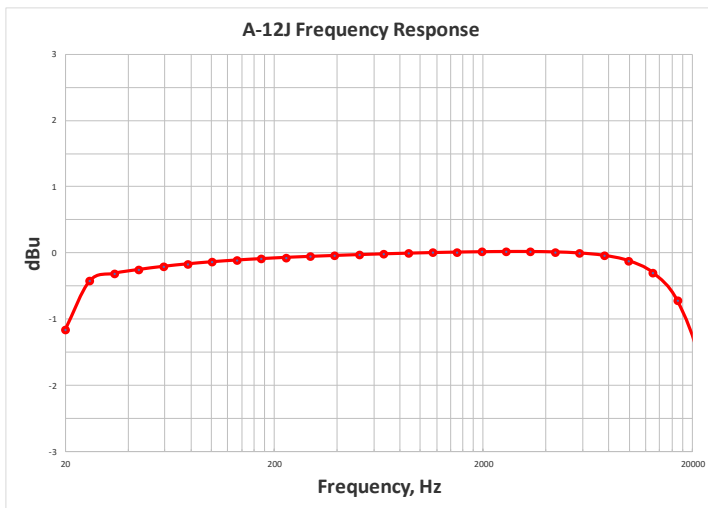
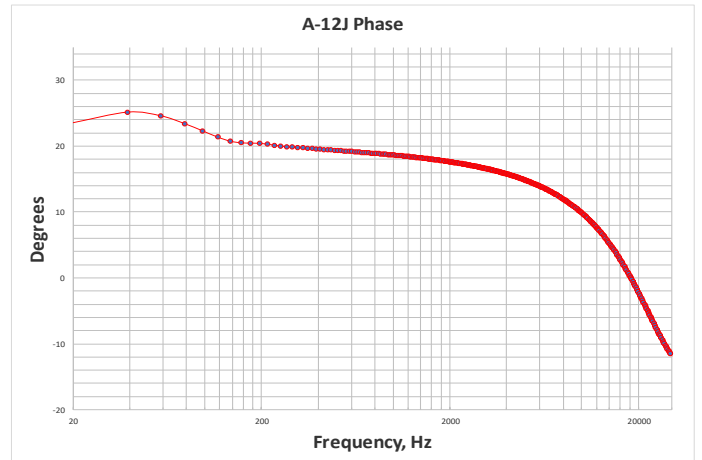
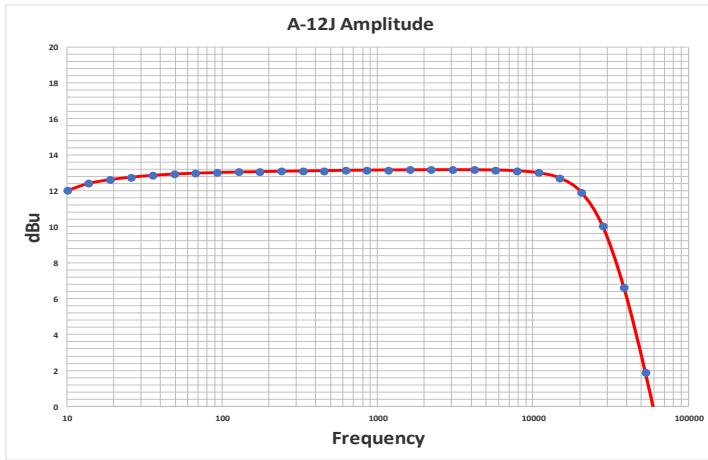
\*Upon printing, this document is considered "uncontrolled". Please contact Triad Magnetics for the most current version.



For illustration purpose only

ALL LEADS = 6.0" Min





NOTE: Graph data was taken on a random sample using an Audio Precision Model APX555 Audio Analyze.