



**SWITCHMODE/HIGH FREQUENCY
ROD CORE INDUCTORS**

80049 Rev. D

DESCRIPTION: TRIAD high current rod core inductors provide cost effective energy storage. By conditioning the output signal, the inductor smoothes out the current waveform to provide a more stable current. These low cost inductors are designed to be compatible with automated P.C.B. installation.

HIGH CURRENT ROD CORE INDUCTORS

A FIRCH-KIT is available which includes one of each of the above listed components

Type No.	Inductance uH +/- 15% DC	DC Rated current	DC Resistance (mOhms) Max	Figure	Lead Diameter	Wt. Lbs.
FIRCH-1	2.54	11.60A	5.50	A	.050"	0.03
FIRCH-2	3.05	9.70A	7.30			
FIRCH-3	3.6	8.10A	9.95			
FIRCH-4	5	6.80A	14.1			
FIRCH-5	5.9	5.70A	18.5			
FIRCH-6	7.22	4.80A	26.1			

ROD CORE INDUCTORS

A RC-KIT is available which includes one of each of the above listed components

Type No.	inductance +/- 10%	DC Rated current	Resistance Ohms +/- 15% DC	Figure	Wt. Lbs.
RC-1	5.6 mH	.250A	6.1	B	0.03
RC-2	3.9 mH	.320A	3.9		
RC-3	2.5 mH	.400A	2.45		
RC-4	1.5 mH	.500A	1.53		
RC-5	915.0 uH	.625A	1		
RC-6	560.0 uH	.800A	0.6		
RC-7	450.0 uH	1.000A	0.42		
RC-8	250.0 uH	1.250A	0.21		
RC-9	200.0 uH	1.600A	0.18		
RC-10	100.0 uH	2.000A	0.098		
RC-11	75.0 uH	2.500A	0.07		

TECHNICAL NOTES:

Figure A:

1. Rated current 40 degrees C temp. rise

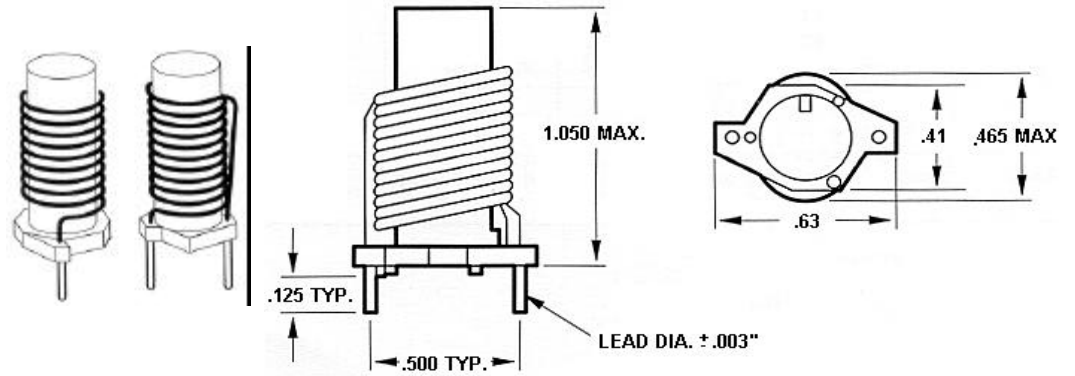


Figure B:

1. Rated current 10 amps per pin maximum.
2. Rated current renders approximately 40 degrees C temp. rise

