

WAU24-750

Electrical Specifications (@25C)

1. Primary Rating: 120V 60Hz (23.5W @ Full Load)
2. Primary Excitation Current: 70mA Max
3. Secondary Rating: 24VAC ± 5%, 700mA AC
4. Secondary No-Load Rating: 27.30VAC Ref.
5. Operating Temperature Range: -10 Deg C to +40 Deg C
6. Temperature Rise: 75 Deg C Max at rated load
50 Deg C Max on enclosure surface

Mechanical Parameters:

Case Type: Thermoplastic molded enclosure.
Output Cord: 24 AWG, 6 Ft. Long Min.

Agency File:

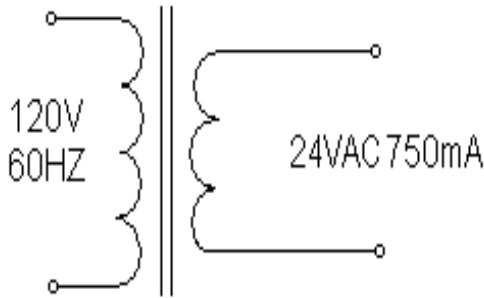
UL/CUL: File E245587, UL 1310

A. Dimensions:

H	W	D
80	60	48

*Units: In Millimeter

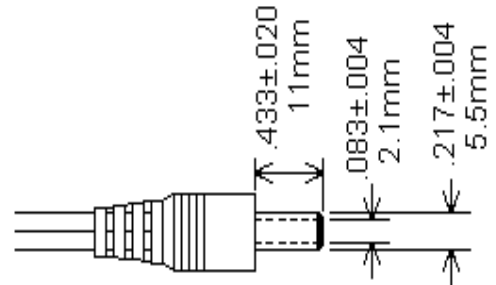
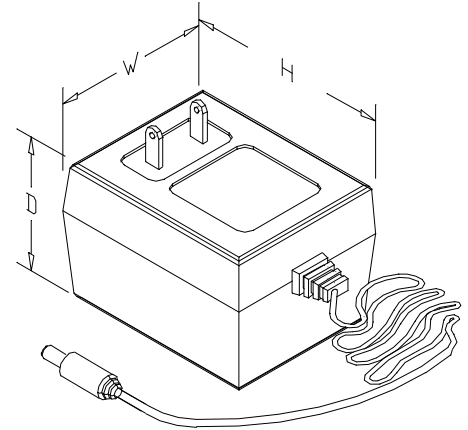
B. Schematic:



DOE Compliance: Effective December 30, 2017, the DOE will now not consider an external power supply with specific characteristics to meet the definition of a device that is subject to EPCA regulation, as long as the power supply is not distributed for use with consumer products.


RoHS Compliance: As of manufacturing date February 2005, all standard products meet the requirements of 2011/65/EU, known as the RoHS initiative.

* Upon printing, this document is considered "uncontrolled". Please contact Triad Magnetics' website for the most current version.




TRIAD

CLASS 2 POWER SUPPLY
MODEL:WAU24-750
INPUT:120VAC 60Hz,23.5W
OUTPUT:24VAC @750mA



LISTED
5G66
E245587



MADE IN CHINA XXXX

FOR INDUSTRIAL AND COMMERCIAL USE ONLY